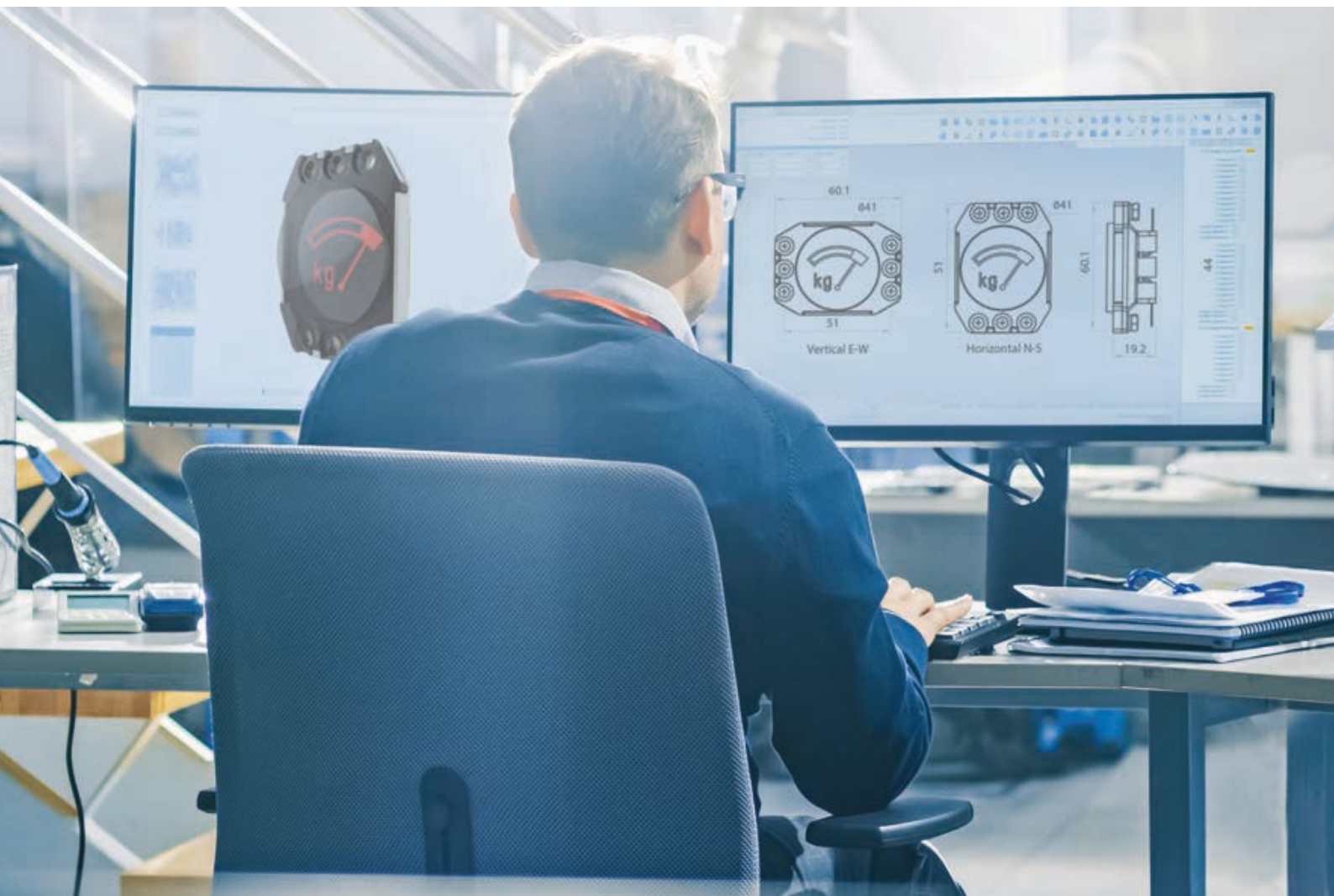


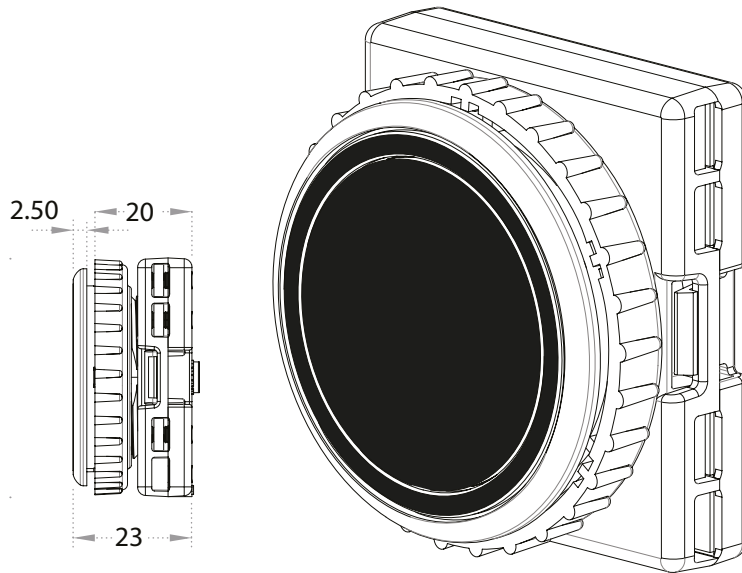
D] Australian lift components

Studless Hidden Legends



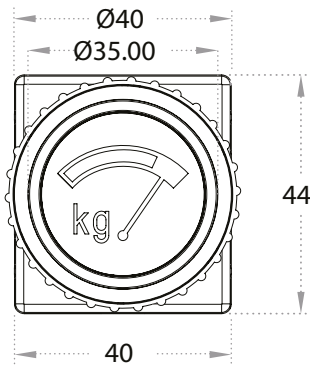
Studless Hidden Legends

Our studless hidden legend indicators are simple to fit and very versatile. LED back lighting of the legend ensures a brilliant and clearly illuminated legend/symbol, easily visible at long distances and from wide angles.

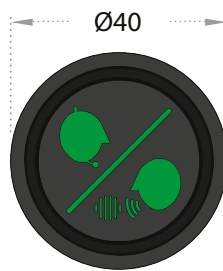


Key features

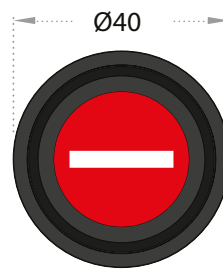
- Studless mounting
- Low profile (< 20.0 mm)
- LED illumination for long life (100,000+ hours)
- Can accommodate 1.0 mm to 3.0 mm faceplates
- Wide range of illumination colours and voltage options available
- Range of pressel legends/symbols available
- Matching range of pushbuttons and key switches
- Surround options available to match pushbutton or key switch (standard charcoal)
- Meets EN81-1, EN81-70, EN81-73 (No Entry), N60529 (IP54)



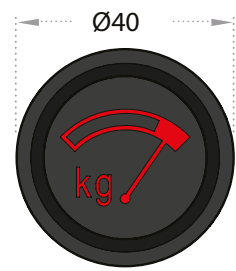
Alarm Activated Symbol



Communication Established Symbol



No Entry Symbol



Overload Symbol

d] Australian lift components

5 Saggart Field Road
Minto NSW, Australia 2566

t: +61(0)2 9603 0200
info@ausliftcomp.com.au
www.ausliftcomp.com.au